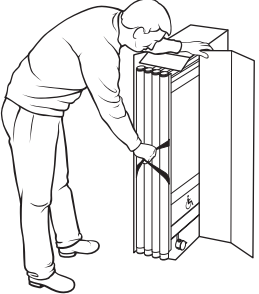


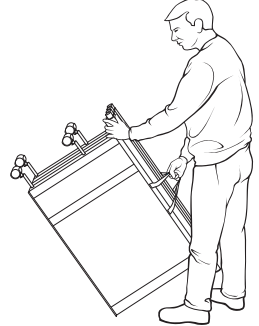
# PAKFLATT 4 COMPARTMENT BOOTH ASSEMBLY INSTRUCTIONS (ALL MODELS)

**1**



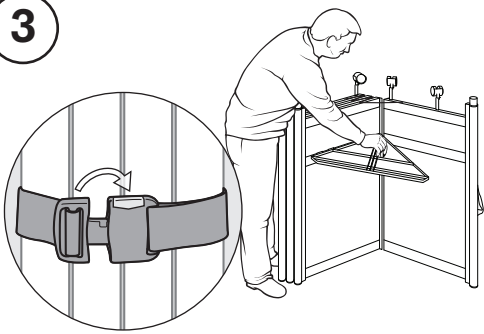
The booth is on wheels so it will slide out of the box. Remove by pulling on the fabric handles. Leave plenty of room for assembly.

**2**



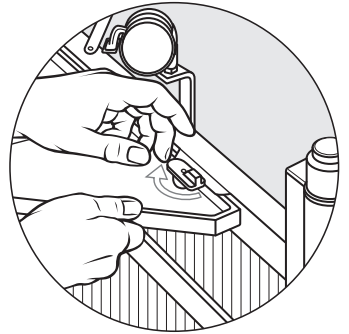
Holding the handles and supporting the booth, rotate until the wheels are facing upward

**3**



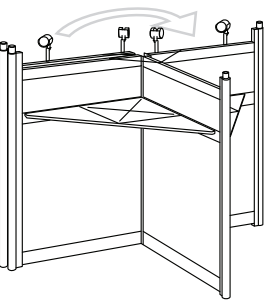
Undo the buckle by pushing in the red button. Open the first section to 90°. Raise the blue table using the red pull strap until it interlocks with the rail.

**4**



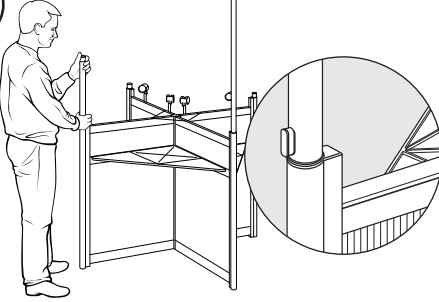
Rotate the red catch clockwise until it engages fully with the slot in the red rail.

**5**



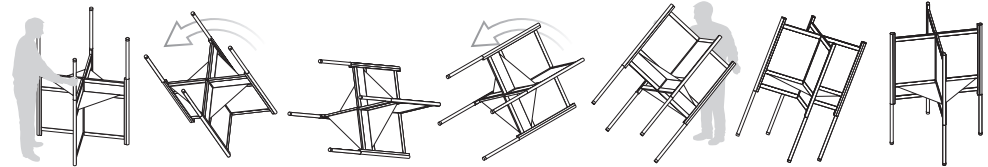
Repeat instruction 4 on the other sections as they are opened out.

**6**



Extend each telescopic leg until the button pops out. Push the leg back in position so that it cannot be pushed in again accidentally.

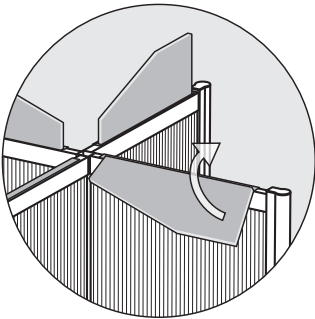
**7**



Leaving plenty of room, lower the booth until it is lying on its side. Raise the booth to its working position.

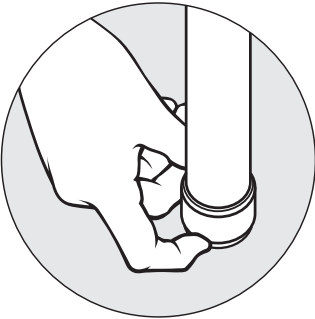
When dismantling the booth, simply repeat the instructions in reverse.

**8**



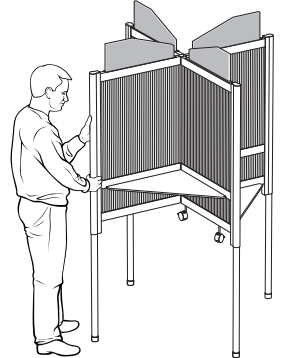
Rotate visors to their vertical working position.

**9**



If necessary, use the adjusters at the bottom of each leg to level the booth.

**10**



Give the booth one final check to make sure that all the shelves and leg buttons are properly locked.

## ACCESSORIES AVAILABLE WITH THIS PRODUCT:

- 1 set of 4 booth lights
- 1 set of 4 privacy curtains

# pakflatt®